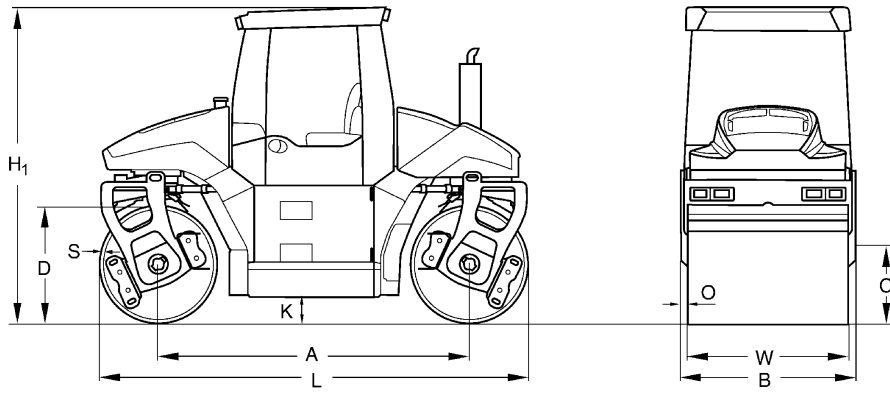


TECHNICAL DATA

TANDEM ROLLERS

BW 154 AP-4V, BW 174 AP-4V





Dimensions in mm

| | A | B | C | D | H1 | K | L | O | S | W |
|---------------------|----------|----------|----------|----------|-----------|----------|----------|----------|----------|----------|
| BW 154 AP-4V | 2890 | 1665 | 735 | 1100 | 2955 | 240 | 3990 | 72 | 16 | 1500 |
| BW 174 AP-4V | 3200 | 1826 | 660 | 1220 | 3000 | 288 | 4420 | 73 | 17 | 1680 |

Shipping dimensions in m3

| | |
|---------------------|--------|
| BW 154 AP-4V | 19,631 |
| BW 174 AP-4V | 24,213 |

| Machine type | Compaction output (t/h) at different asphalt layer thicknesses | | |
|---------------------|---|---------------|-----------------|
| | 2-4 cm | 6-8 cm | 10-14 cm |
| BW 154 AP-4V | 30-60 | 60-130 | 80-160 |
| BW 174 AP-4V | 50-110 | 90-180 | 140-210 |

Technical Data**BOMAG
BW 154 AP-4V****BOMAG
BW 174 AP-4V****Weights**

| | | | |
|---|-------|-------------|-------------|
| Operating weight CECE w. ROPS-cabin | kg | 7.100 | 9.200 |
| Axle load, front / rear CECE | kg | 3.550/3.550 | 4.700/4.500 |
| Static linear load, front / rear CECE | kg/cm | 23,7/23,7 | 28,0/26,8 |
| Grossweight | kg | 8.600 | 10.800 |

Dimensions

| | | | |
|---------------------------|----|-------|-------|
| Track radius, inner | mm | 2.950 | 2.946 |
|---------------------------|----|-------|-------|

Driving Characteristics

| | | | |
|-----------------|------|----------|---------|
| Speed (1) | km/h | 0 - 10,0 | 0- 10,5 |
|-----------------|------|----------|---------|

Drive

| | | | |
|----------------------------------|-------|-----------------|------------------|
| Engine manufacturer | | Kubota | Deutz |
| Type | | V3307 CR-T | TCD 3.6 L4 |
| Emission stage | | StageV / TIER4f | Stage V / TIER4f |
| Exhaust gas aftertreatment | | DOC+DPF | DPF+SCR |
| Cooling | | Liquid | Liquid |
| Number of cylinders | | 4 | 4 |
| Fuel | | Diesel | Diesel |
| Performance ISO 14396 | kW | 55,4 | 74,4 |
| Performance SAE J 1995 | hp | 74,2 | 99,6 |
| Speed | min-1 | 2.400 | 2.000 |
| Split drum | | front + rear | front + rear |

Brakes

| | | | |
|---------------------|--|----------|----------|
| Service brake | | hydrost. | hydrost. |
| Parking brake | | mech. | mech. |

Steering

| | | | |
|---------------------------------------|----|--------------|--------------|
| Steering system | | 2-p. pivoted | 2-p. pivoted |
| Lateral displacement right/left | mm | 1.130 | 1.350 |

Exciter system

| | | | |
|-------------------------|----|-----------|-----------|
| Frequency | Hz | 40/55 | 45/60 |
| Amplitude | mm | 0,66/0,32 | 0,46/0,20 |
| Centrifugal force | kN | 69/63 | 80/61 |

Sprinkler System

| | | | |
|--------------------------|--|----------|----------|
| Type of sprinkling | | pressure | pressure |
|--------------------------|--|----------|----------|

Capacities

| | | | |
|-------------|---|-------|-------|
| Fuel | l | 155,0 | 180,0 |
| Water | l | 550,0 | 680,0 |

Technical modifications reserved. Machines may be shown with options.

Standard Equipment

- ECOMODE
- Plastic water tank under the operator's platform
- Water-saving pressure sprinklers
- Individual vibration control
- 2 amplitudes / 2 frequencies
- Autom. vibration operation
- 4 spring-loaded hinged scrapers
- Indicator and hazard lights
- ROPS cabin with seat belts + heating
- 2 Outside mirrors
- Steering method/Operator's seat sliding / rotatable
- Steering with comfort control - 5 Steering modes
- Back-up alarm
- Emergency STOP
- Brake release device
- Split drums
- Camera front and rear

Optional Equipment

- ECONOMIZER
- Edge cutter
- Rotary beacon
- Special paint
- Environmentally compliant hydraulic oil
- Tool kit
- Precision spreader
- Precision spreader laterally slidable
- Air condition
- Radio/Radio preparation
- Lighting for drum edge
- Backup warning buzzer with broadband technology
- Additional outside mirrors
- Asphalt temperature display
- By-pass filter
- BOMAG TELEMATIC POWER
- BOMAG ECOSTOP
- BOMAP compaction navigation with GPS

